

# Color Controller E-710 (G939)

## PARTS CATALOG

2nd Edition, March 2001

Ricoh Company, LTD.

**Input document Property ModelCode**

**PARTS CATALOG**

This catalog gives the numbers and names of parts on this machine.

**CONTENTS**

**Color Controller E-710 (G939)**

# Color Controller E-710 (G939)

## **Color Controller E-710 (G939)**

### **PARTS CATALOG**

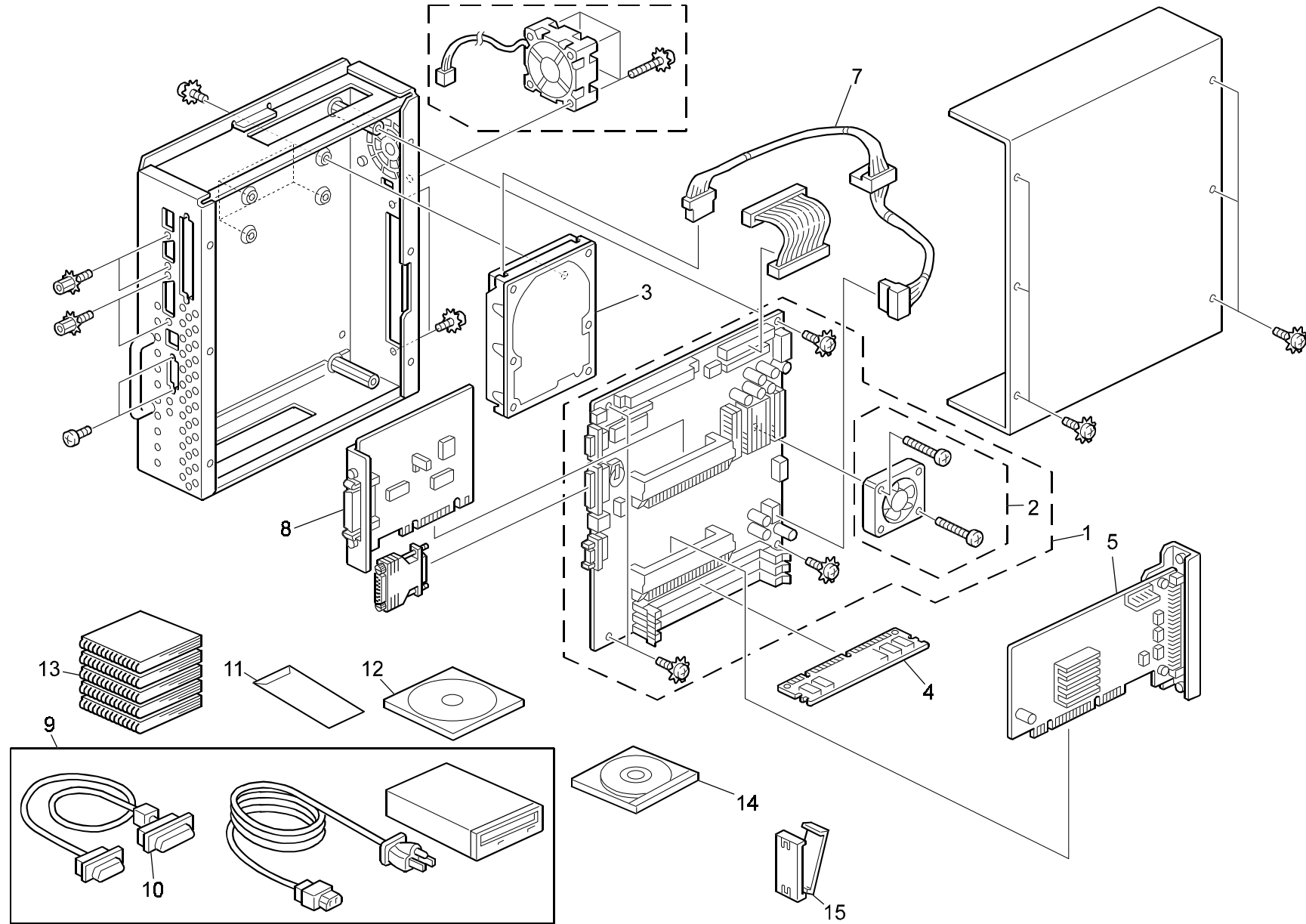
This catalog gives the numbers and names of parts on this machine.

### **CONTENTS**

1.Color Controller E-710 (G939).....	2
<b>Parts Index.....</b>	<b>5</b>

**March ,15 ' 2001**

# 1. Color Controller E-710 (G939)



### 1.Color Controller E-710 (G939)

Index No.	Part No.	Description	Q'ty Per Assembly
1	G939 5000	Mother Board With CPU Fan	1
2	G936 5002	CPU Fan Unit	1
3	G939 5010	8.4GB IDE Hard Drive Kit	1
4	G938 5020	128MB DIMM	2
5	G936 5030	Video Board	1
6	G938 5040	Exhaust Fan Kit	1
7	G936 5044	Power Cable Harness	1
8	G938 5060	SCSI Card	1
9	A752 0514	CD-ROM Drive	1
10	A752 5101	SCSI Cable	1
11	A724 5282	Grayscale Strip	1
12	G939 5081	User Software	1
13	G939 5082	Doc Pack English	1
14	G939 9500	Service Kit (Sytem CD)	1
15	G938 5200	Ferrite Clamp	1
16	G939 5059	Key - Dongle	1

Index No.	Part No.	Description	Q'ty Per Assembly

# Parts Index

## Parts Index

Part No.	Description	Page and Index No.
G939 5000	Mother Board With CPU Fan	2- 1
G939 5010	8.4GB IDE Hard Drive Kit	2- 3
G939 5059	Key - Dongle	2- 16
G939 5081	User Software	2- 12
G939 5082	Doc Pack English	2- 13
G939 9500	Service Kit (Sytem CD)	2- 14

Part No.	Description	Page and Index No.
G936 5002	CPU Fan Unit	2- 2
G936 5030	Video Board	2- 5
G936 5044	Power Cable Harness	2- 7
G938 5020	128MB DIMM	2- 4
G938 5040	Exhaust Fan Kit	2- 6
G938 5060	SCSI Card	2- 8
G938 5200	Ferrite Clamp	2- 15
G939 5000	Mother Board With CPU Fan	2- 1
G939 5010	8.4GB IDE Hard Drive Kit	2- 3
G939 5030	Video Board	2- 5
G939 5081	User Software	2- 12
G939 5082	Doc Pack English	2- 13
G939 9500	Service Kit (Sytem CD)	2- 14



Part No.	Description	Page and Index No.
A724 5282	Grayscale Strip	2- 11
A752 0514	CD-ROM Drive	2- 9
A752 5101	SCSI Cable	2- 10

Part No.	Description	Page and Index No.
----------	-------------	--------------------